

Top Loading

For GN Food Pans
Model 240MPC



Features & Benefits

- Rugged and dependable, these Camcarriers provide an exact fit for GN 1/2 Size Food Pans.
- GN 1/2 Size Food Pan capacity:
Model 240MPC – 1 each 2½" (6,5 cm) or 4" (10 cm) deep.
- One-piece seamless, double-wall, high-density polyethylene construction is durable, lightweight and dishwasher safe. Textured exterior is scratch resistant.
- Foamed-in polyurethane insulation and an airtight gasket helps to ensure excellent food temperature retention, hot or cold.
- Recessed vent cap located on the top is easily opened to help equalize pressure and release steam.
- Four each recessed plastic latches secure the lid tightly and will not rust or corrode and are protected from damage during use.
- Molded-in rim on all sides provides a comfortable grip for easy transporting.
- Securely stacks easily for more efficient transportation and storage.
- Optional Camdollies™ provide easy transporting.
- Non-electrical.
- No assembly required.
- Available in 8 colors. Color variety offers quick food content identification and inventory control at-a-glance.

Item No. _____

Specifier Identification No. _____

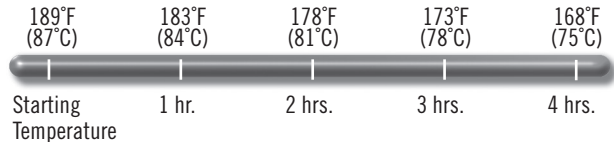
Model No. _____

Quantity _____

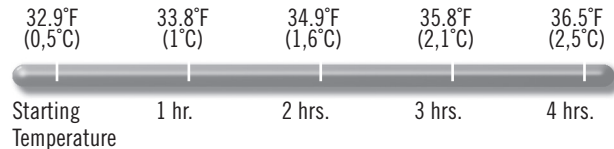


240MPC

"Camcarriers Keep Food Hot for Hours!"



"Camcarriers Keep Food Cold for Hours!"



Approvals



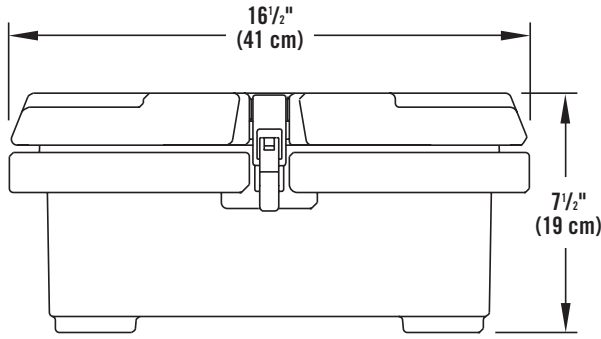
Top Loading
 For GN Food Pans
 Model 240MPC

Item No. _____

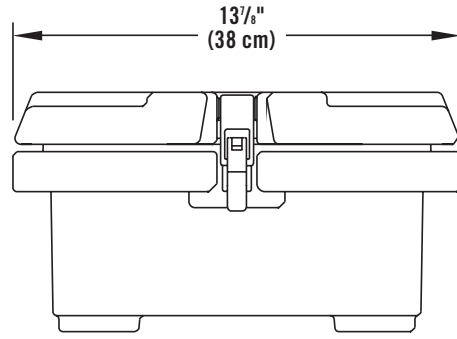
Specifier Identification No. _____

Model No. _____

Quantity _____



240MPC



Specifications

Dimension Tolerance: +/- 1/4" (0,64 cm)

CODE	DESCRIPTION	APPROX. CAPACITY	EXTERIOR DIMENSIONS W x D x H	CASE LBS./CUBE (KG/M ³)
240MPC	Camcarrier (for 1/2 size pans only)	5.3 qts. (4,7 L)	16 1/2" x 13 7/8" x 7 1/2" (41 x 38 x 19 cm)	9.25 (1.20) 4,2 (0,034)

Optional Accessories

- Divider Bar DIV12 White (148) Clear (135)
- Camdolly® CD1420

Standard Colors

- Black (110) Dark Brown (131)
- Coffee Beige (157) Hot Red (158)
- Navy Blue (186) Slate Blue (401)
- Brick Red (402) Green (519)

Architect Specs

The portable non-electrical GN Food Pan transport carriers shall be Camcarriers, Model 240MPC, manufactured by Cambro Mfg. Co., Huntington Beach, CA 92648 U.S.A. It shall be made of one-piece, seamless, double-wall, high-density polyethylene and foam-injected polyurethane. It shall have a recessed vent cap on the outside top cover to help equalize pressure and release steam. It shall have an airtight gasket that is easily removable for cleaning. It shall be available to transport Half or Fractional Size Food Pans, 2 1/2" and 4" (6,5 and 10 cm) deep with DIV12 Divider Bars. It shall have 4 each recessed plastic latches. It shall have a molded-in rim on all sides for transporting. It shall have an interlock design on the bottom and top corners to provide secure stacking for transport and storage. It shall be available to be transportable with optional Camdollies. It shall require no assembly and shall be available in 8 colors.

Approvals

